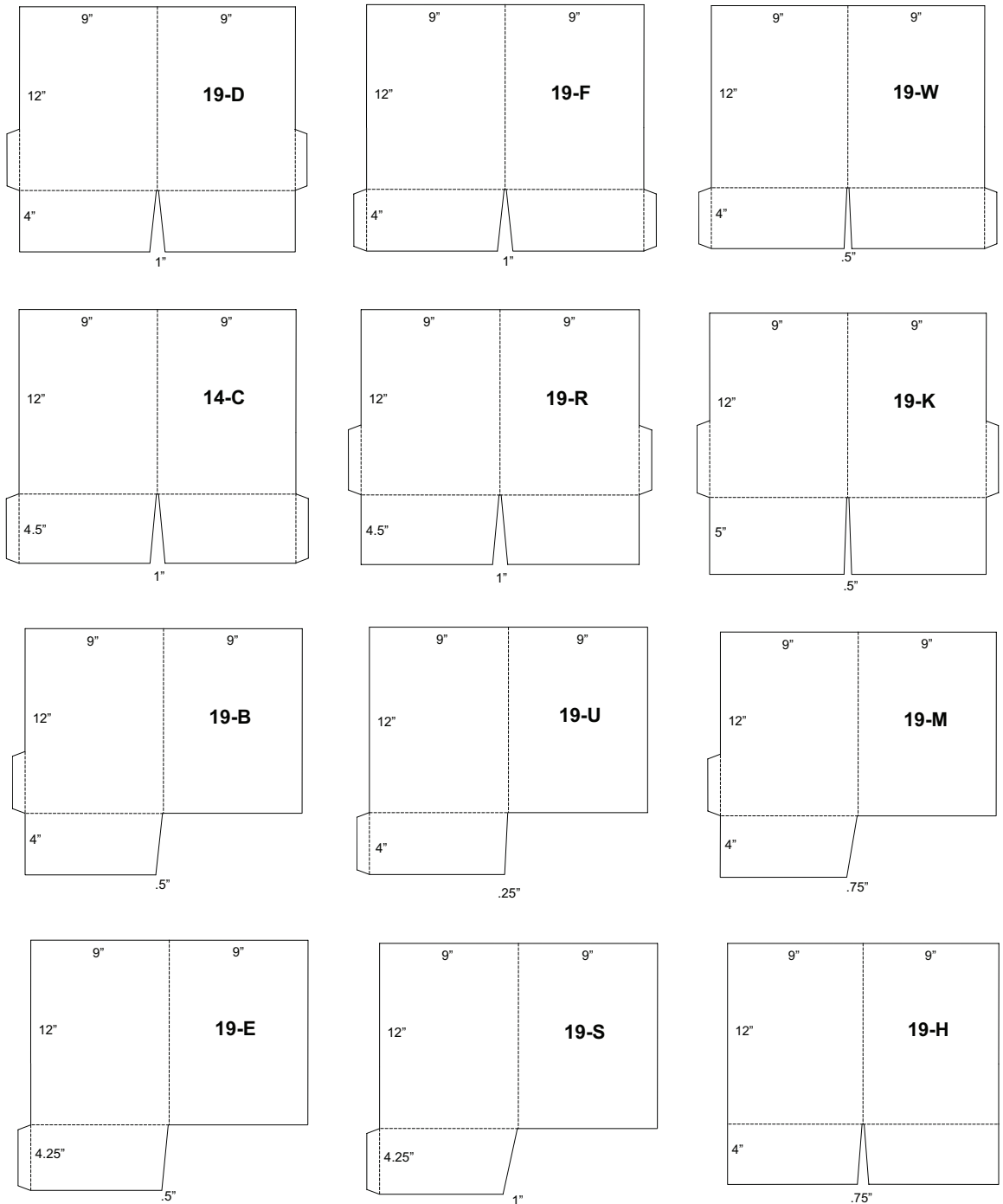




Standard Pocket Folder Dies

Choosing one of these standard dies will help you control costs

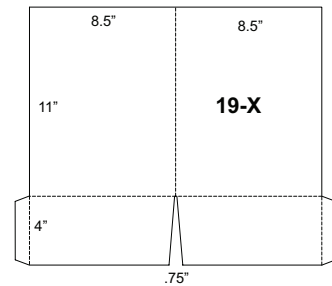
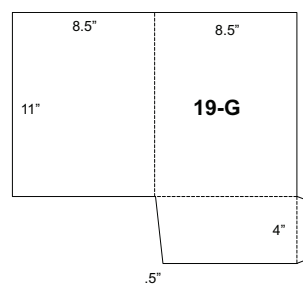
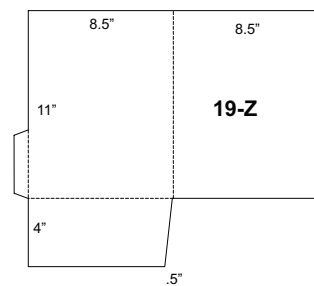
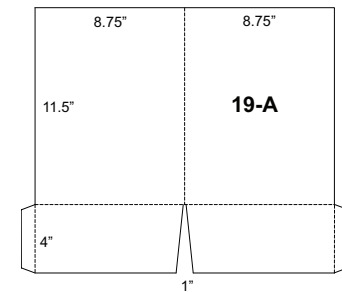
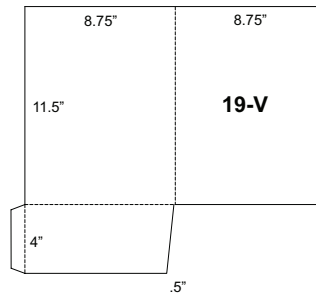
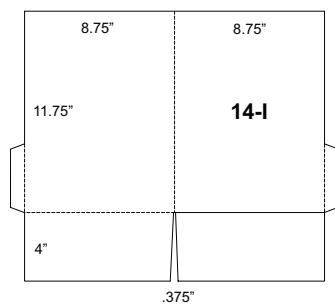
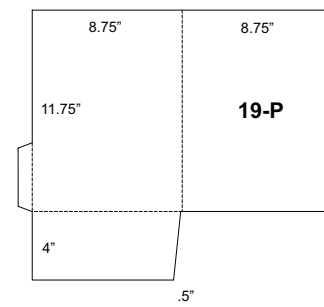
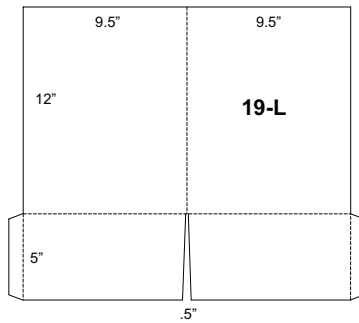
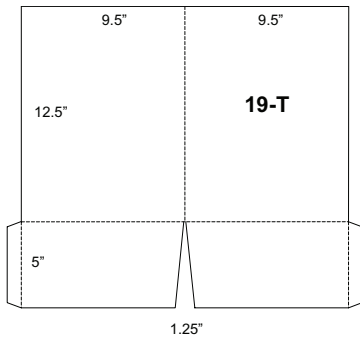
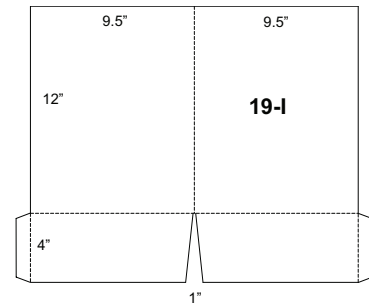
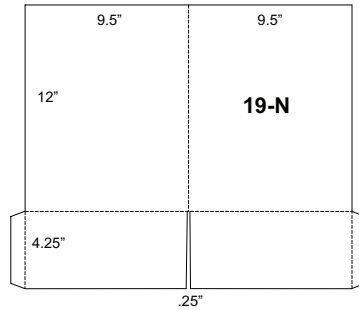
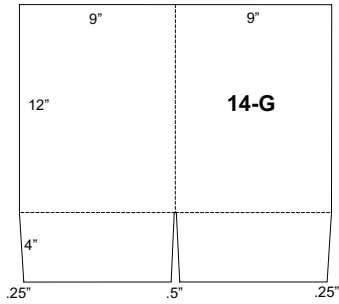
Choosing from these standard pocket folder dies will help you save costs. You can always create a custom die if these do not fit your needs. You should discuss your projects needs with your Account Manager and they will help guide you in the right direction.





Standard Pocket Folder Dies

Choosing one of these standard dies will help you control costs





Standard Pocket Folder Dies

Choosing one of these standard dies will help you control costs

Any of the following business card slits can be placed in the pocket(s) of any standard die.
Slits for vertical cards should be used only on deeper pockets.

